

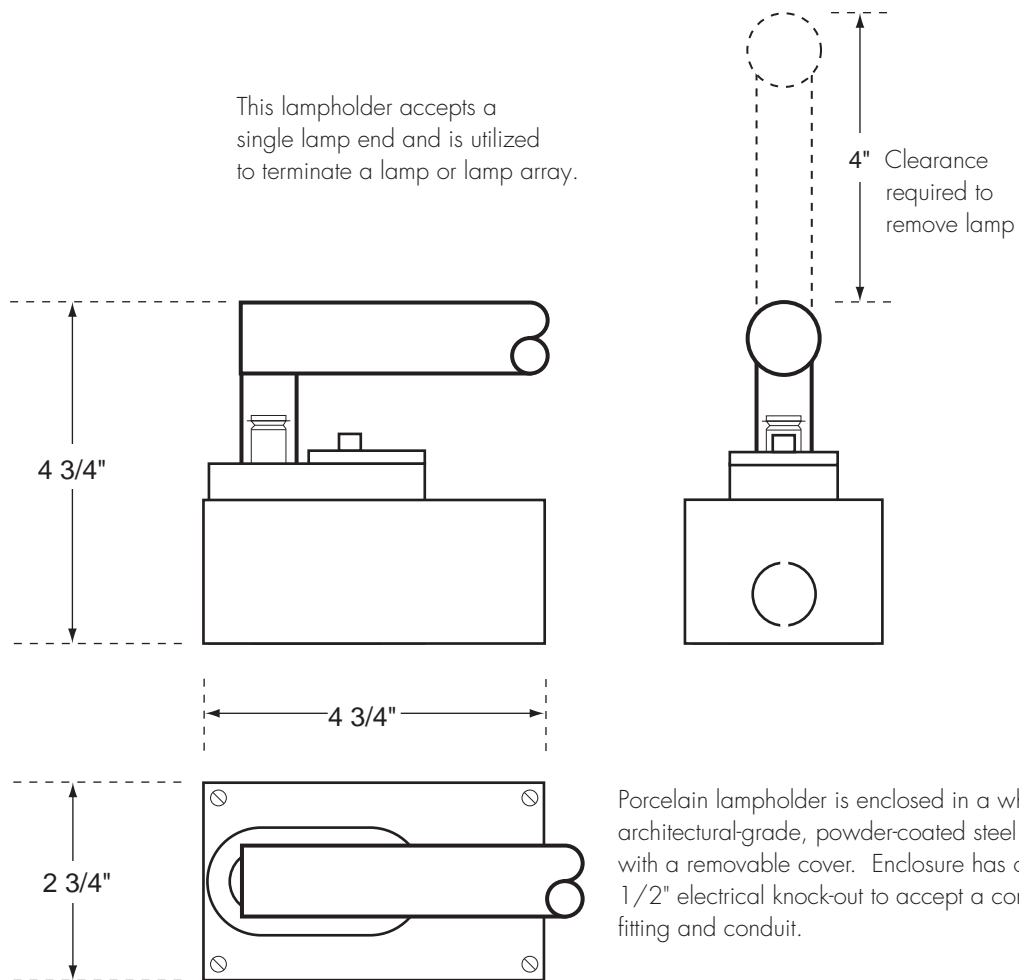
# SYSTEM TNP

Standard-Output Transformer-Operated Cold Cathode

Lampholder Details:  
Surface-Mounted Lampholders

System type: TNP  
Mounting: **Surface mounted**  
Lampholder type: TL  
Lampholder model: TL1

This lampholder accepts a single lamp end and is utilized to terminate a lamp or lamp array.



*Drawings not to scale*

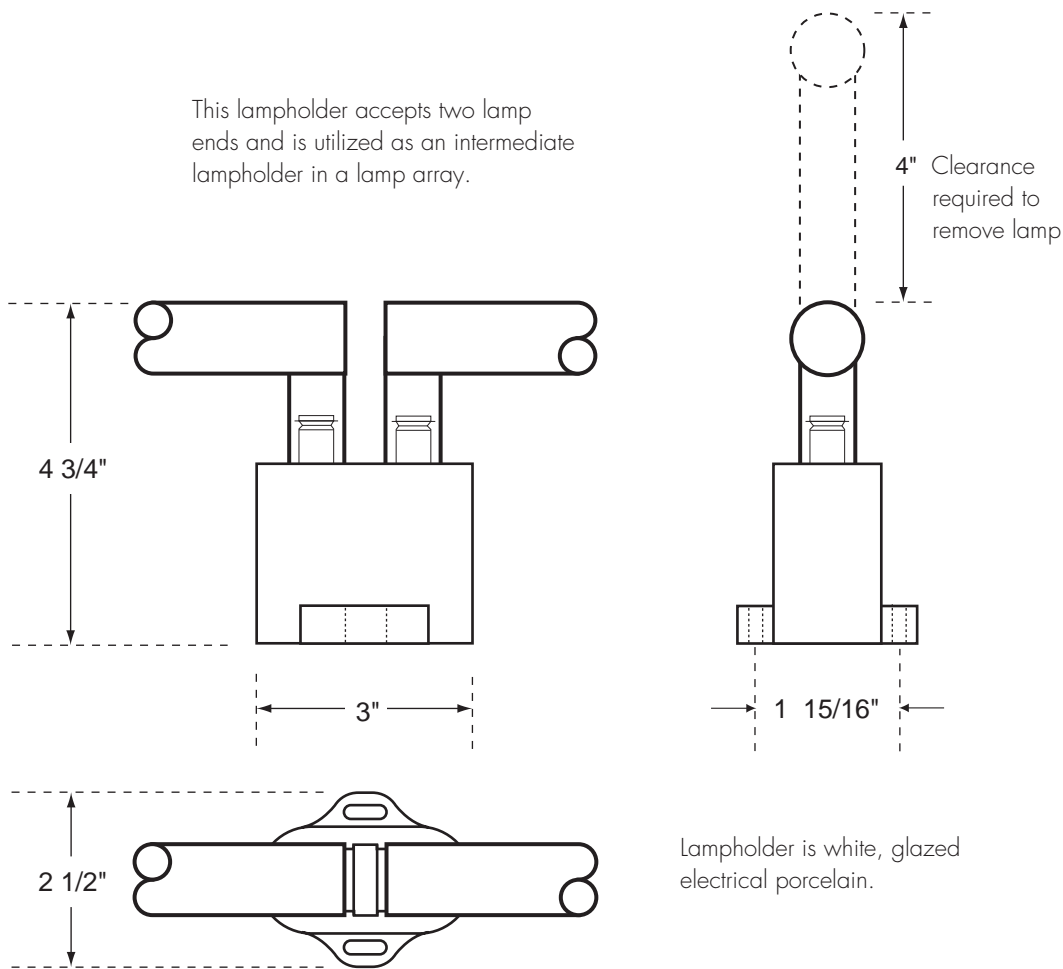
# SYSTEM TNP

Standard-Output Transformer-Operated Cold Cathode

Lampholder Details:  
Surface-Mounted Lampholders (cont'd.)

System type: TNP  
Mounting: **Surface mounted**  
Lampholder type: TL  
Lampholder Model: TL2

This lampholder accepts two lamp ends and is utilized as an intermediate lampholder in a lamp array.



*Drawings not to scale*

© 2002 Cathode Lighting Systems Inc.

**AA-14**

8020 Queenair Drive, Gaithersburg, MD 20879 • ph: 301 921 4120 • fax: 301 963 3050  
e-mail: info@CathodeLightingSystems.com • website: www.CathodeLightingSystems.com

**CLS** CATHODE  
LIGHTING  
SYSTEMS

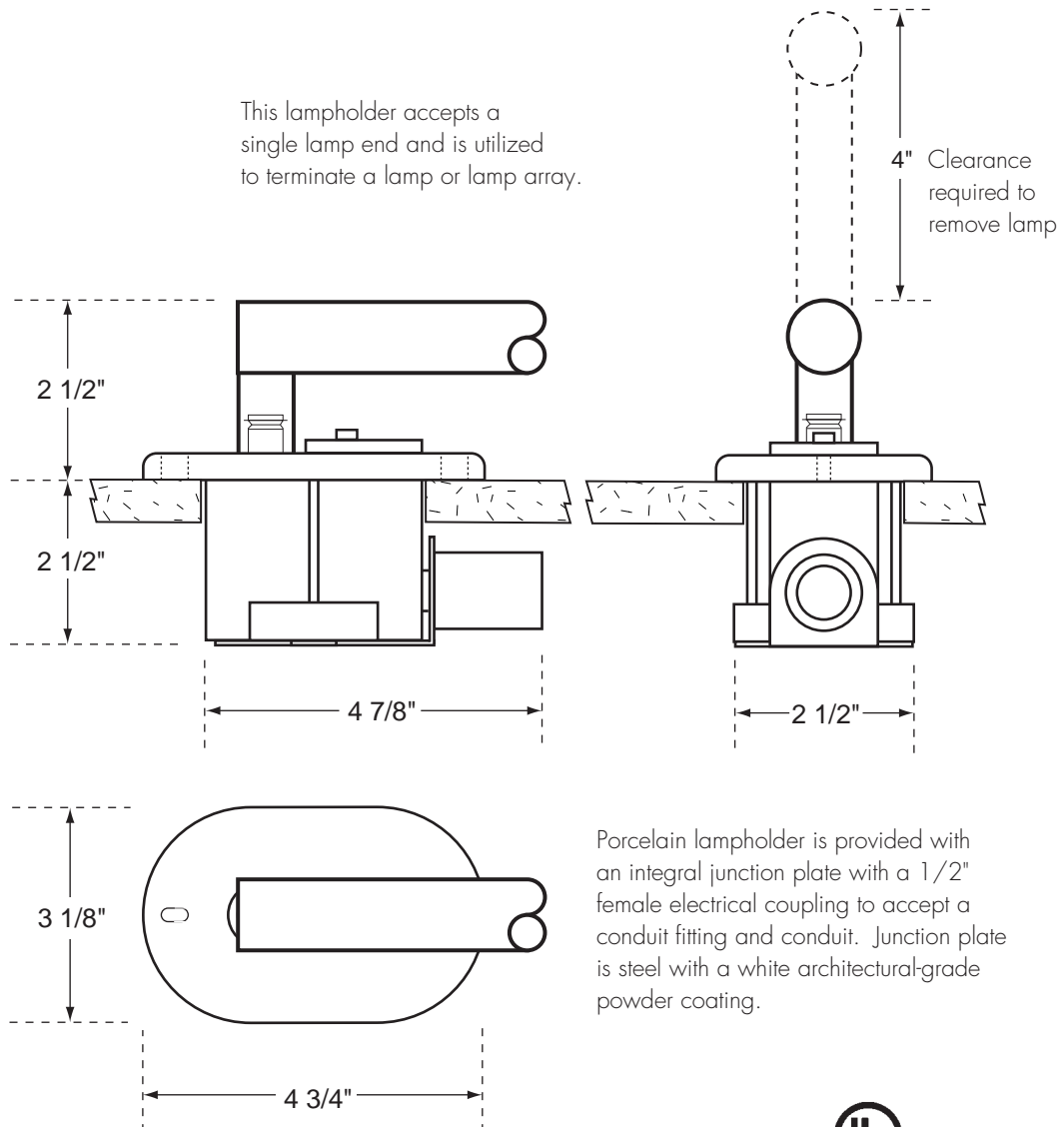
# SYSTEM TNP

Standard-Output Transformer-Operated Cold Cathode

Lampholder Details:  
Recess-Mounted Lampholders

System type: TNP  
Mounting: **Recess mounted**  
Lampholder type: TL-R  
Lampholder model: TL1-R

This lampholder accepts a single lamp end and is utilized to terminate a lamp or lamp array.



Drawings not to scale

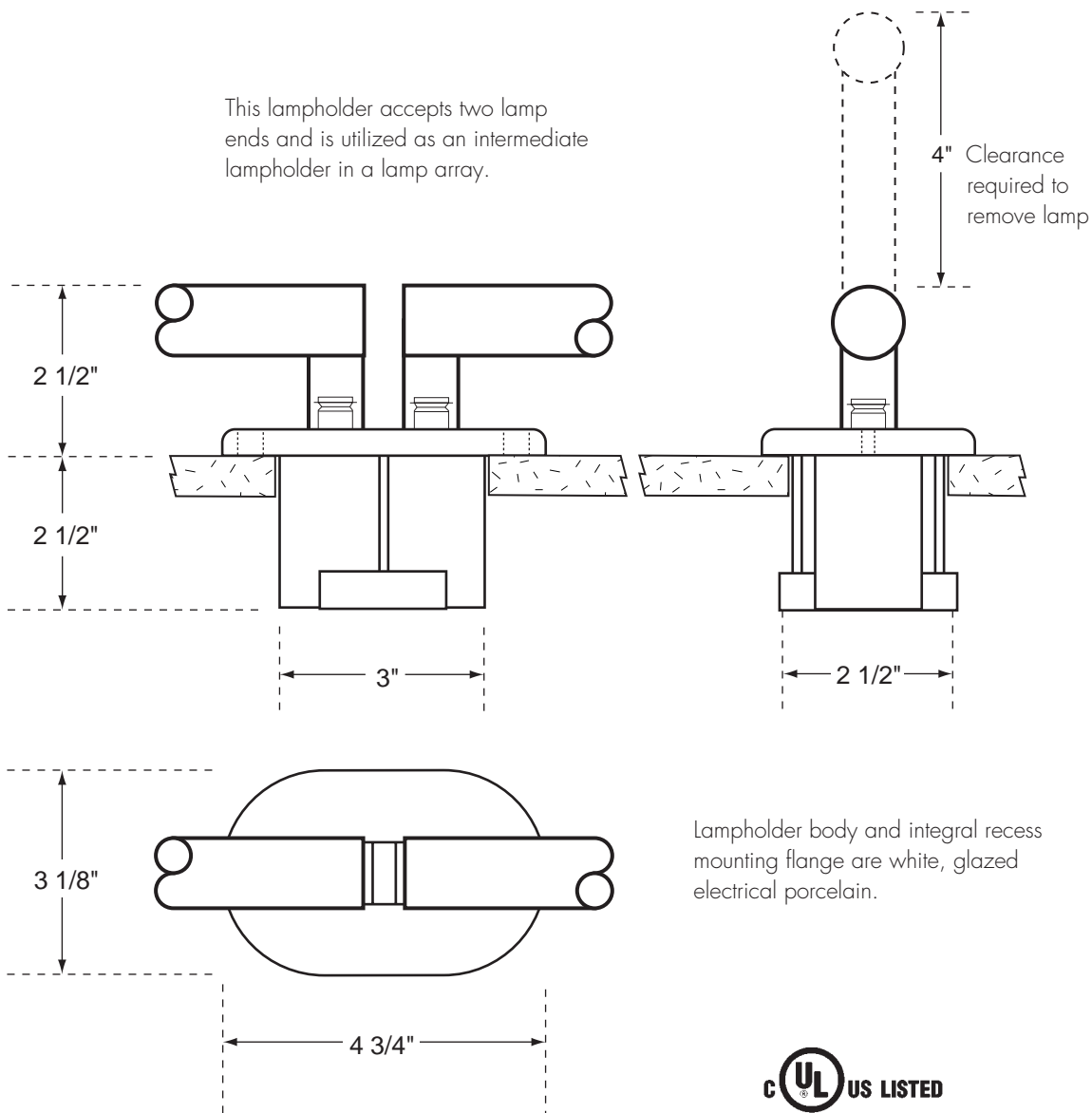
# SYSTEM TNP

Standard-Output Transformer-Operated Cold Cathode

Lampholder Details:  
Recess-Mounted Lampholders (cont'd.)

System type: TNP  
Mounting: **Recess mounted**  
Lampholder type: TL-R  
Lampholder model: TL2-R

This lampholder accepts two lamp ends and is utilized as an intermediate lampholder in a lamp array.



Drawings not to scale

© 2002 Cathode Lighting Systems Inc.

**AA-16**

8020 Queenair Drive, Gaithersburg, MD 20879 • ph: 301 921 4120 • fax: 301 963 3050  
e-mail: info@CathodeLightingSystems.com • website: www.CathodeLightingSystems.com

**CLS** CATHODE  
LIGHTING  
SYSTEMS