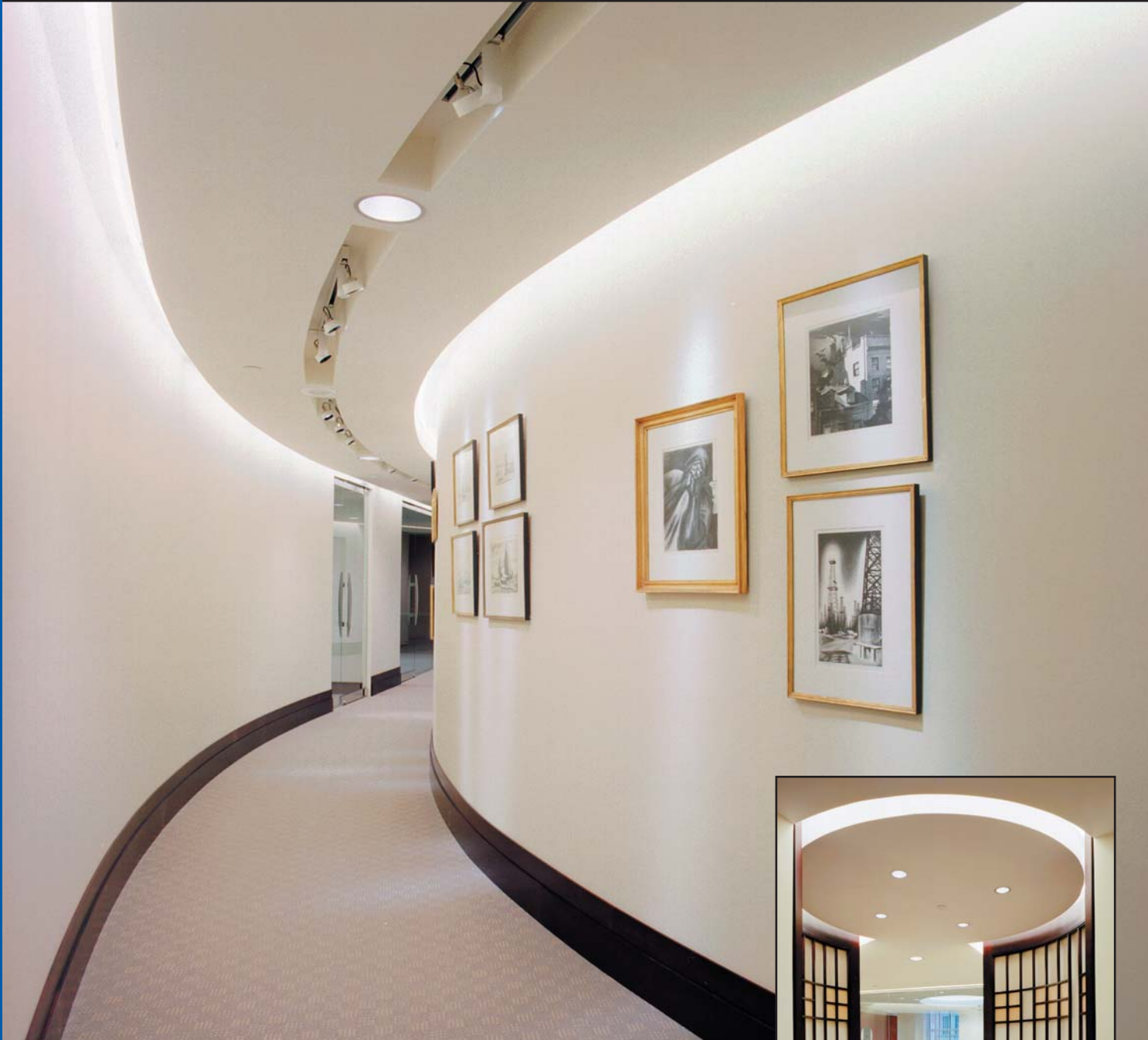


SYSTEM TNP

Standard-Output Transformer-Operated Cold Cathode

Application: Floating Ceiling & Cove Uplighting



Citizens Power • Boston, MA
Architect: Visnick & Caulfield

A single row of curved soft-white cold cathode on each side of this suspended ceiling creates the effect of a glowing, floating ribbon along the length of this hallway.

Inset: Custom-curved soft-white cold cathode illuminates a series of circular and semicircular coffers in this upscale conference room.



Photos: Clements/Howcraft

SYSTEM TNP

Standard-Output Transformer-Operated Cold Cathode

Details from application photo on reverse

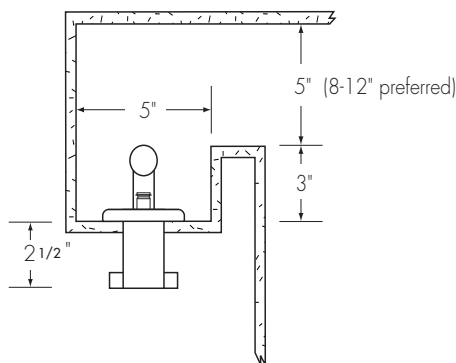
SYSTEM INFORMATION

- 25mm triphosphor lamps
- Lamps can be fabricated in a wide variety of shapes and curvatures to perfectly and seamlessly illuminate almost any architectural application
- Lamps are available in a wide array of white hues, pastels, and vibrant neon colors
- Dimmable to 10% without flicker
- Lamp operating current is 100 milliamps
- Light output up to 386 lumens per foot (approximately 60% of T-8 fluorescent)
- Virtually maintenance free, lamp life is 50,000 hours +
- Low power consumption: 7.5 watts per foot in energy costs
- One transformer operates up to 80 feet of lamps in a series electrical circuit
- Transformers can be remotely located up to 20 feet from the lamps
- Primary voltages available: 120 volts and 277 volts 60 Hz
- Transformer secondary voltage: 5000-9000 volts
- Transformers are furnished with secondary ground-fault protection*
-  **US LISTED** for commercial interior dry locations

*Available as of 12/2002

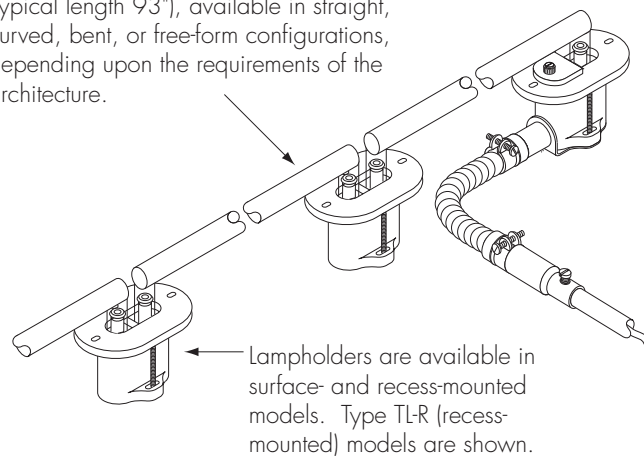
COVE PROFILE

TL-R (recess-mounted) lampholder mounted to a horizontal surface



TYPICAL SYSTEM DETAIL

25mm (T-8) 100-milliamp cold cathode lamp (typical length 93"), available in straight, curved, bent, or free-form configurations, depending upon the requirements of the architecture.



More detailed dimensional and design-related information can be found in the *System TNP Technical Information* section.

Drawings not to scale

© 2002 Cathode Lighting Systems Inc.

8020 Queenair Drive, Gaithersburg, MD 20879 • ph: 301 921 4120 • fax: 301 963 3050
e-mail: info@CathodeLightingSystems.com • website: www.CathodeLightingSystems.com

 **CATHODE
LIGHTING
SYSTEMS**