

SYSTEM BNP-HO-EX

High-Output Ballast-Operated Cold Cathode for Export

Lampholder Details:
Surface-Mounted Lampholders

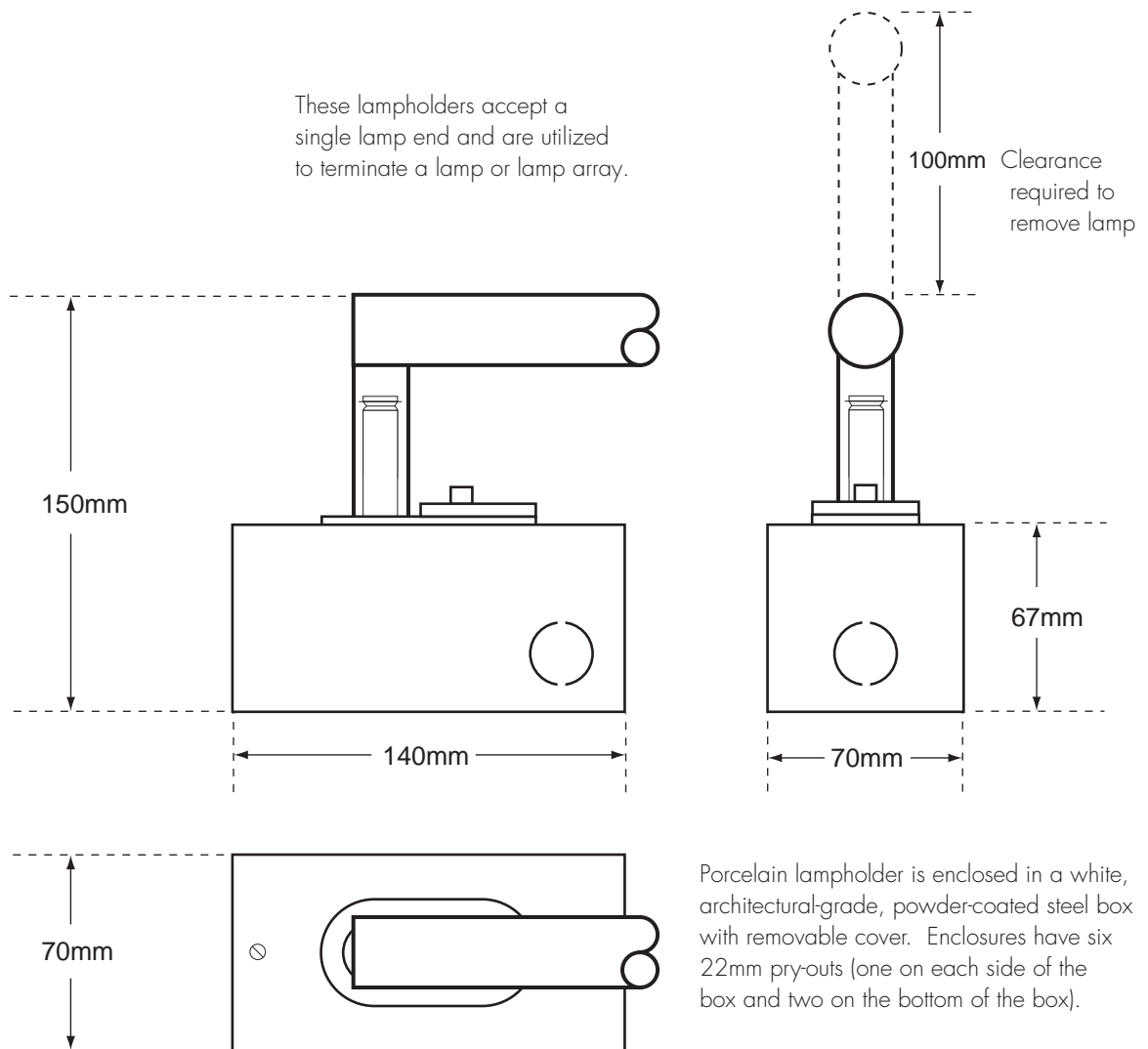
System type: **BNP-HO-EX**

Mounting: **Surface mounted**

Lampholder type: **BL**

Lampholder models: **BL1 and BL4**

These lampholders accept a single lamp end and are utilized to terminate a lamp or lamp array.



Porcelain lampholder is enclosed in a white, architectural-grade, powder-coated steel box with removable cover. Enclosures have six 22mm pry-outs (one on each side of the box and two on the bottom of the box).

Drawings not to scale

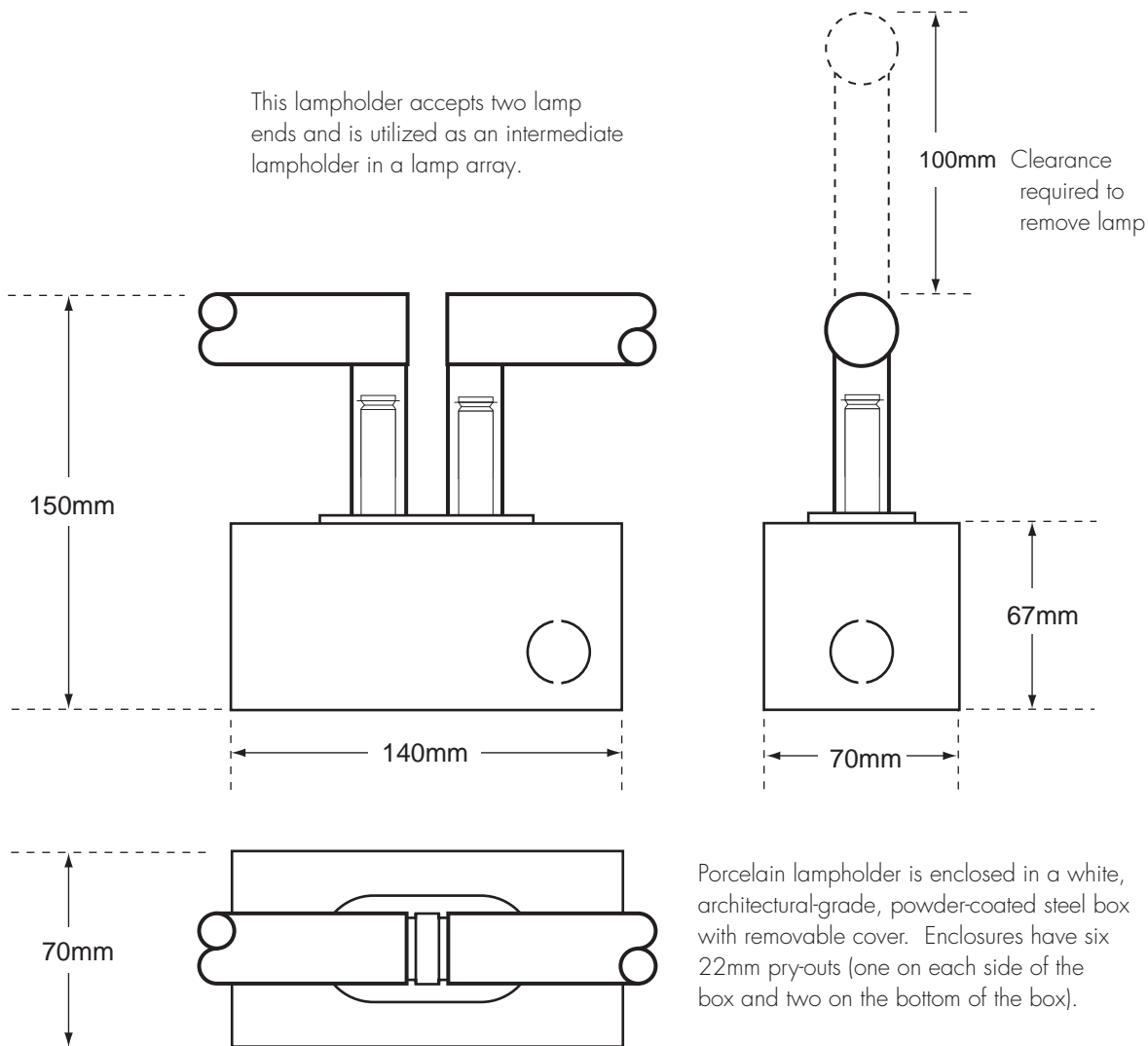
SYSTEM BNP-HO-EX

High-Output Ballast-Operated Cold Cathode for Export

Lampholder Details:
Surface-Mounted Lampholders (cont'd.)

System type: **BNP-HO-EX**
Mounting: **Surface mounted**
Lampholder type: **BL**
Lampholder model: **BL5**

This lampholder accepts two lamp ends and is utilized as an intermediate lampholder in a lamp array.



Drawings not to scale

© 2002 Cathode Lighting Systems Inc.

DD-14

8020 Queenair Drive, Gaithersburg, MD 20879 • ph: 301 921 4120 • fax: 301 963 3050
e-mail: info@CathodeLightingSystems.com • website: www.CathodeLightingSystems.com

CLS CATHODE
LIGHTING
SYSTEMS

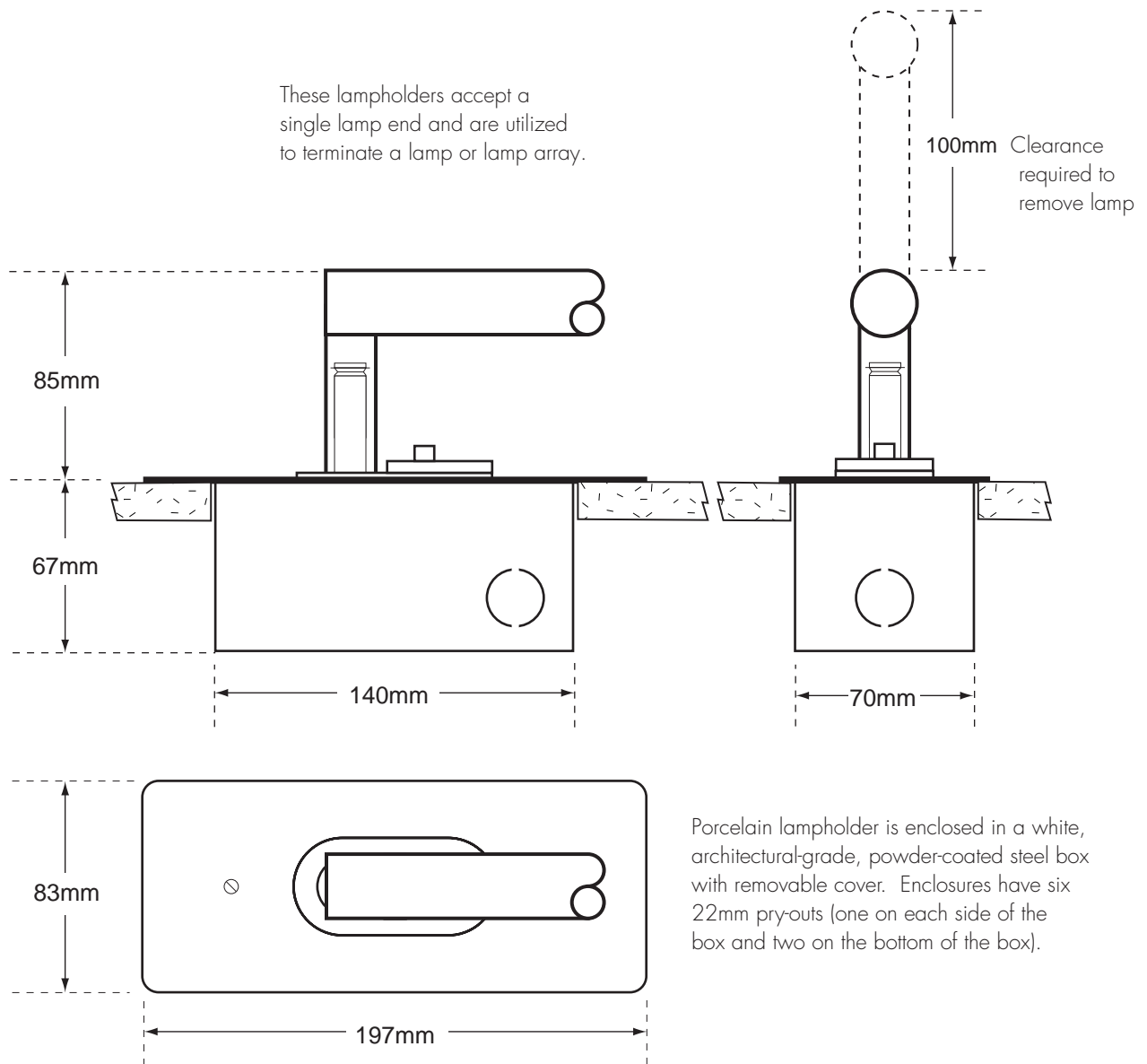
SYSTEM BNP-HO-EX

High-Output Ballast-Operated Cold Cathode for Export

Lampholder Details:
Recess-Mounted Lampholders

System type: **BNP-HO-EX**
Mounting: **Recess mounted**
Lampholder type: **BL-R**
Lampholder models: **BL1-R and BL4-R**

These lampholders accept a single lamp end and are utilized to terminate a lamp or lamp array.



Porcelain lampholder is enclosed in a white, architectural-grade, powder-coated steel box with removable cover. Enclosures have six 22mm pry-outs (one on each side of the box and two on the bottom of the box).

Drawings not to scale

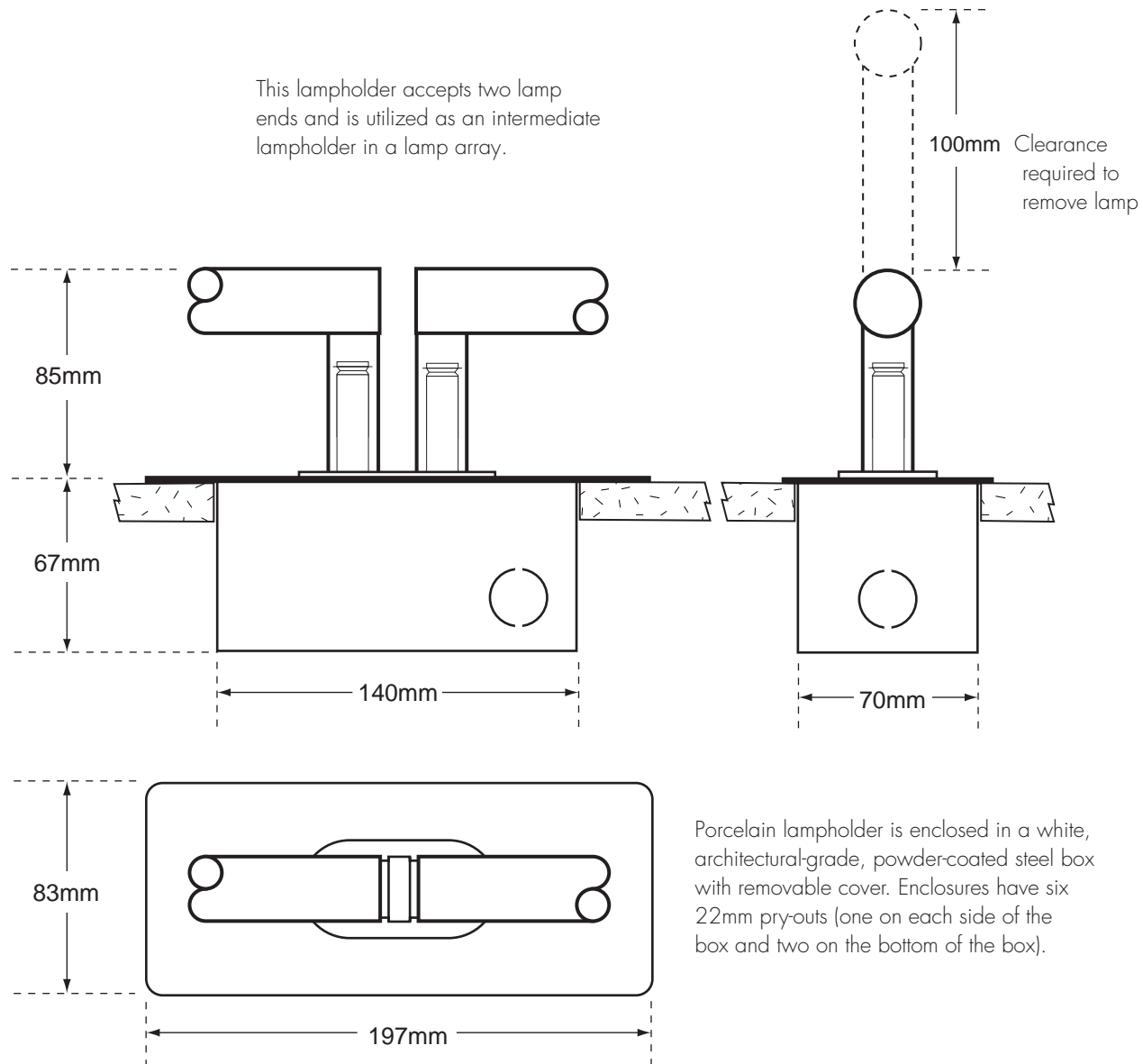
SYSTEM BNP-HO-EX

High-Output Ballast-Operated Cold Cathode for Export

Lampholder Details:
Recess-Mounted Lampholders (cont'd.)

System type: **BNP-HO-EX**
Mounting: **Recess mounted**
Lampholder type: **BL-R**
Lampholder model: **BL5-R**

This lampholder accepts two lamp ends and is utilized as an intermediate lampholder in a lamp array.



Drawings not to scale

© 2002 Cathode Lighting Systems Inc.

DD-16

8020 Queenair Drive, Gaithersburg, MD 20879 • ph: 301 921 4120 • fax: 301 963 3050
e-mail: info@CathodeLightingSystems.com • website: www.CathodeLightingSystems.com



**CATHODE
LIGHTING
SYSTEMS**