

SYSTEM BNP-HO-EX

High-Output Ballast-Operated Cold Cathode for Export

Application: Colored Uplighting



Mowasat Hospital • Safat, Kuwait
Architect: Al Riash Architects
Lighting Design: Mohamed Al Sager/K.P.K. Varma



Photos: Malik Photography

A single row of high-output deep-blue cold cathode was installed within these ceiling covers to create an inviting atmosphere in this hospital entrance.



CATHODE
LIGHTING
SYSTEMS

8020 Queenair Drive, Gaithersburg, MD 20879 • ph: 301 921 4120 • fax: 301 963 3050
e-mail: info@CathodeLightingSystems.com • website: www.CathodeLightingSystems.com

© 2002 Cathode Lighting Systems Inc.

D-1

SYSTEM BNP-HO-EX

High-Output Ballast-Operated Cold Cathode for Export

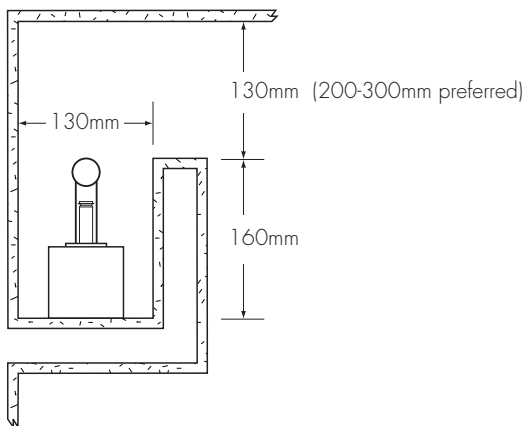
Details from application photo on reverse

SYSTEM INFORMATION

- 25mm triphosphor lamps
- Lamps can be fabricated in a wide variety of shapes and curvatures to perfectly and seamlessly illuminate almost any architectural application
- Lamps are available in a wide array of white hues, pastels, and vibrant neon colors
- Dimmable to 20% without flicker
- Lamp operating current is 200 milliamps
- Light output up to 2340 lumens per meter (equal to T-8 fluorescent)
- Virtually maintenance free, lamp life is 40,000 hours +
- Low power consumption: 48 watts per meter in energy costs
- Each ballast operates one lamp up to 2400mm long, in a parallel electrical circuit
- Ballasts can be remotely located up to 16 meters from the lamps
- Primary voltages available: 220-240 volts 50 Hz
- Ballast secondary voltage: 990 volts
- System has a circuit-interrupting function. When a lamp is removed, the ballast is de-energized.
- Suitable for commercial dry and protected damp locations

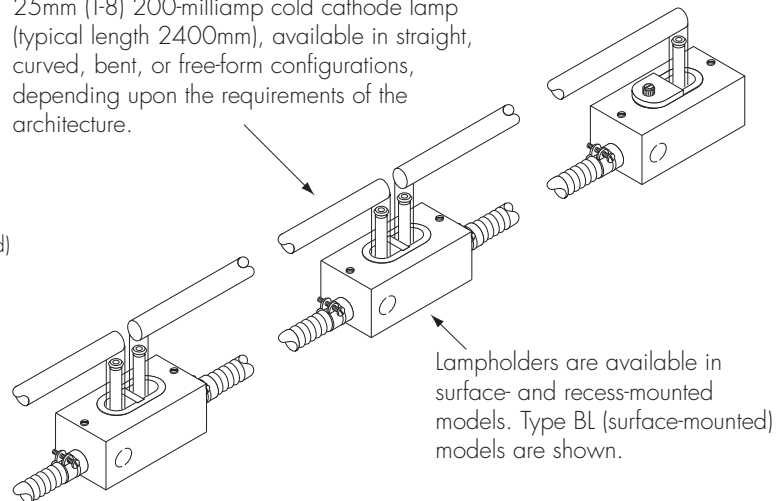
COVE PROFILE

BL (surface-mounted) lampholder mounted to a horizontal surface



TYPICAL SYSTEM DETAIL

25mm (T-8) 200-milliamp cold cathode lamp (typical length 2400mm), available in straight, curved, bent, or free-form configurations, depending upon the requirements of the architecture.



More detailed dimensional and design-related information can be found in the *System BNP-HO-EX Technical Information* section.

Drawings not to scale

© 2002 Cathode Lighting Systems Inc.

8020 Queenair Drive, Gaithersburg, MD 20879 • ph: 301 921 4120 • fax: 301 963 3050
e-mail: info@CathodeLightingSystems.com • website: www.CathodeLightingSystems.com

CLS CATHODE
LIGHTING
SYSTEMS