

SYSTEM BNP-HO

High-Output Ballast-Operated Cold Cathode

Application: Colored Uplighting



Cineplex Brampton • Mississauga, Ontario
Architect: MacLennan, Jaunkalns & Miller

A single row of high-output cold cathode was fabricated in a rainbow of colors for each of these futuristic ceiling designs. This higher brightness system was chosen to complement higher levels of illumination demanded in this expansive space.

Photos: Patrick Kennedy

SYSTEM BNP-HO

High-Output Ballast-Operated Cold Cathode

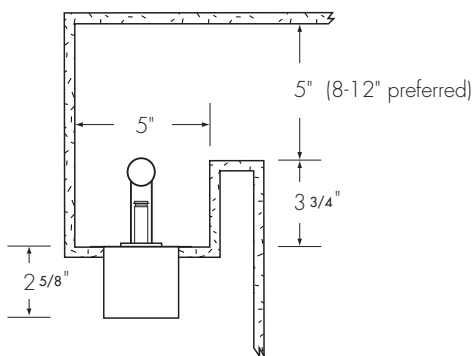
Details from application photo on reverse

SYSTEM INFORMATION

- 25mm triphosphor lamps
- Lamps can be fabricated in a wide variety of shapes and curvatures to perfectly and seamlessly illuminate almost any architectural application
- Lamps are available in a wide array of white hues, pastels, and vibrant neon colors
- Dimmable to 20% without flicker
- Lamp operating current is 200 milliamps
- Light output up to 709 lumens per foot (equal to T-8 fluorescent)
- Virtually maintenance free lamp life is 40,000 hours +
- Low power consumption: 15 watts per foot in energy costs
- Each ballast operates one lamp up to 8 feet long, in a parallel electrical circuit
- Ballasts can be remotely located up to 65 feet from the lamps
- Primary voltages available: 120 volts and 277 volts 60 Hz
- Ballast secondary voltage: 990 volts
- System has a circuit-interrupting function. When a lamp is removed, the ballast is de-energized.
- **cUL US LISTED** for commercial dry and protected damp locations

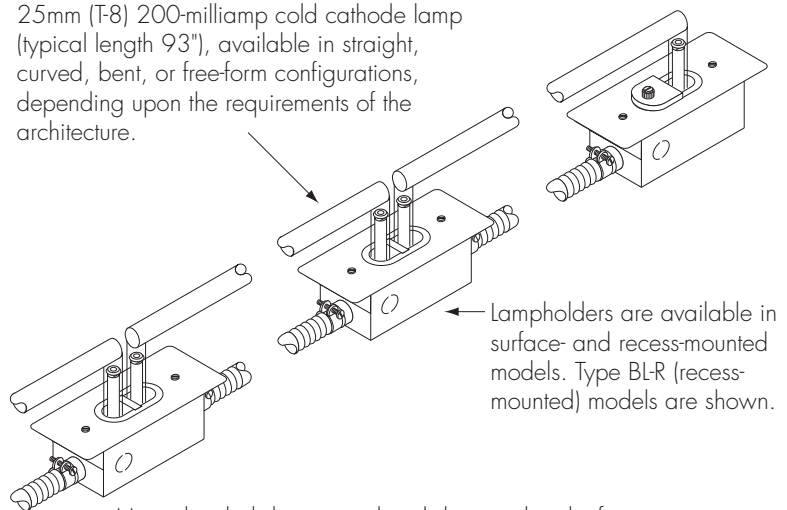
COVE PROFILE

BL-R (recess-mounted) lampholder mounted to a horizontal surface



TYPICAL SYSTEM DETAIL

25mm (T-8) 200-milliamp cold cathode lamp (typical length 93"), available in straight, curved, bent, or free-form configurations, depending upon the requirements of the architecture.



More detailed dimensional and design-related information can be found in the *System BNP-HO Technical Information* section.

Drawings not to scale