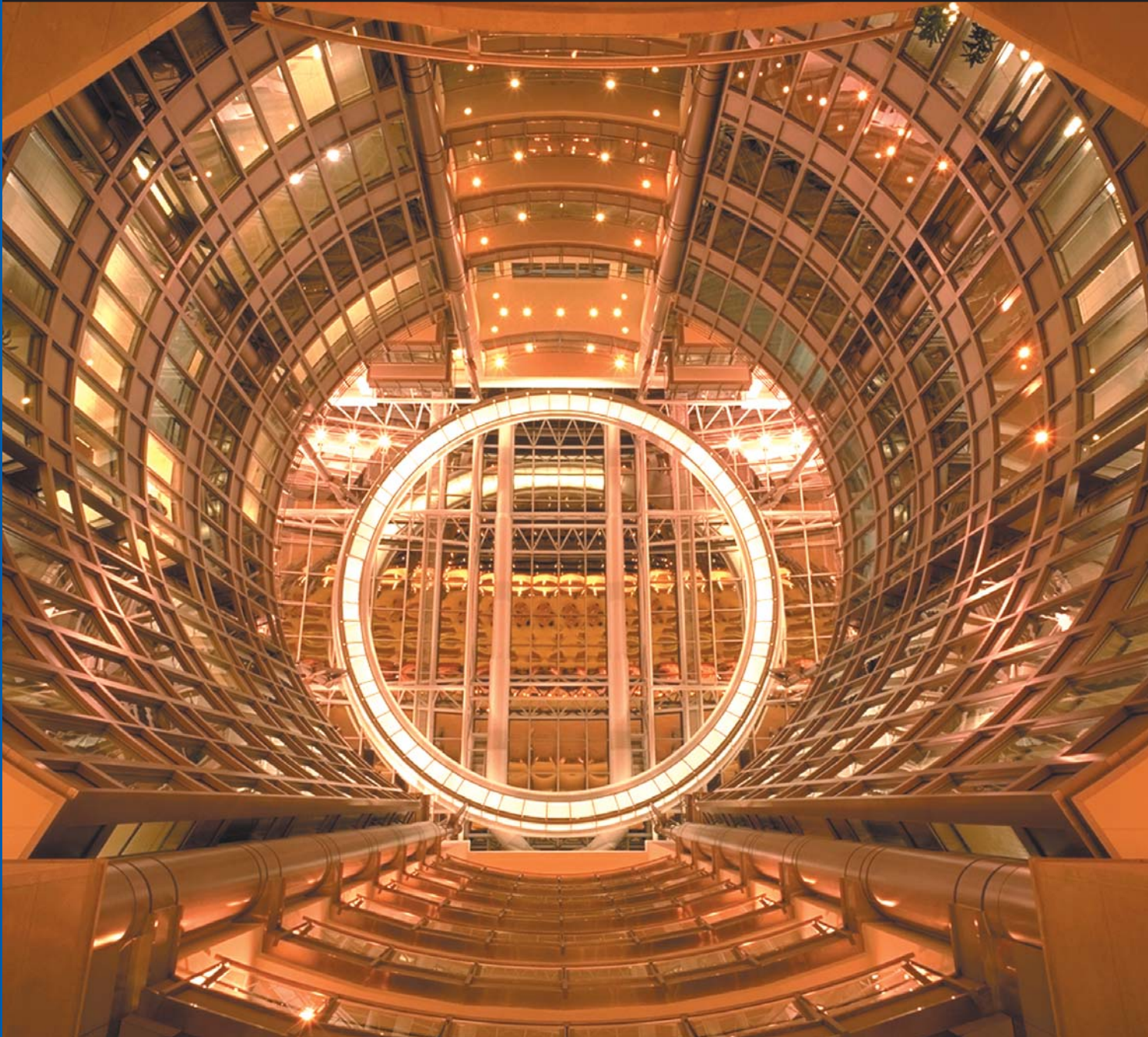


SYSTEM BNP-HO

High-Output Ballast-Operated Cold Cathode

Application: Custom Illumination



Atrium, 555 12th Street • Washington, DC
Lighting Designer: Moran-Coventry & Associates

Photo: Eric Long


A single row of curved softwhite high-output cold cathode was used to illuminate this dramatic glass-paneled circular ring in this multistory atrium.

SYSTEM BNP-HO

High-Output Ballast-Operated Cold Cathode

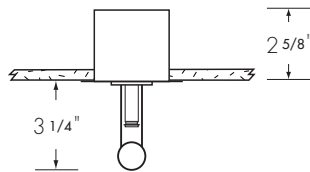
Details from application photo on reverse

SYSTEM INFORMATION

- 25mm triphosphor lamps
- Lamps can be fabricated in a wide variety of shapes and curvatures to perfectly and seamlessly illuminate almost any architectural application
- Lamps are available in a wide array of white hues, pastels, and vibrant neon colors
- Dimmable to 20% without flicker
- Lamp operating current is 200 milliamps
- Light output up to 709 lumens per foot (equal to T-8 fluorescent)
- Virtually maintenance free lamp life is 40,000 hours +
- Low power consumption: 15 watts per foot in energy costs
- Each ballast operates one lamp up to 8 feet long, in a parallel electrical circuit
- Ballasts can be remotely located up to 65 feet from the lamps
- Primary voltages available: 120 volts and 277 volts 60 Hz
- Ballast secondary voltage: 990 volts
- System has a circuit-interrupting function. When a lamp is removed, the ballast is de-energized.
-  **US LISTED** for commercial dry and protected damp locations

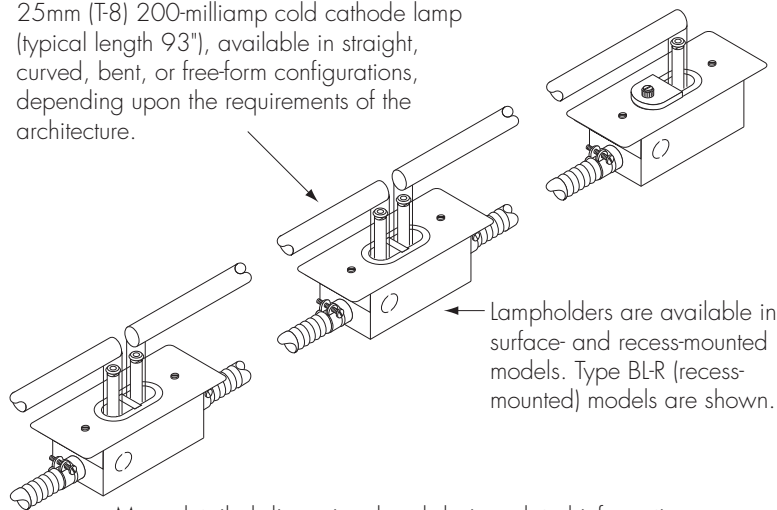
COVE PROFILE

BL-R (recess-mounted) lampholder mounted to a horizontal surface for an exposed sculptural lamp application



TYPICAL SYSTEM DETAIL

25mm (T-8) 200-milliamp cold cathode lamp (typical length 93"), available in straight, curved, bent, or free-form configurations, depending upon the requirements of the architecture.



More detailed dimensional and design-related information can be found in the *System BNP-HO Technical Information* section.

Drawings not to scale

© 2002 Cathode Lighting Systems Inc.

8020 Queenair Drive, Gaithersburg, MD 20879 • ph: 301 921 4120 • fax: 301 963 3050
e-mail: info@CathodeLightingSystems.com • website: www.CathodeLightingSystems.com

 **CATHODE
LIGHTING
SYSTEMS**