

SYSTEM BNP-EX

Standard-Output Ballast-Operated Cold Cathode for Export

Electrical and Ballast Information

ELECTRICAL AND LOADING INFORMATION

System BNP-EX (standard-output ballast-operated cold cathode for export)

- Each electronic ballast operates one lamp up to 2200mm long
- Available in 236 volts 50/60 Hz and 100-120 volts 50/60 Hz models
- Dimmable power factor corrected electronic design
- Minimal noise (20-24 decibels)
- Integral overload and open circuit protection
- VA (volt amps) per meter: 23.0
- Ballast must be installed within one meter of the lamp

 approved

236 volts 50/60 Hz operation

Catalog Number	B-100-EX-236
Primary Amps	.21
Primary VA	50
Secondary Voltage	990 volts
Weight	.6 kilograms
Maximum lamp length	2200mm

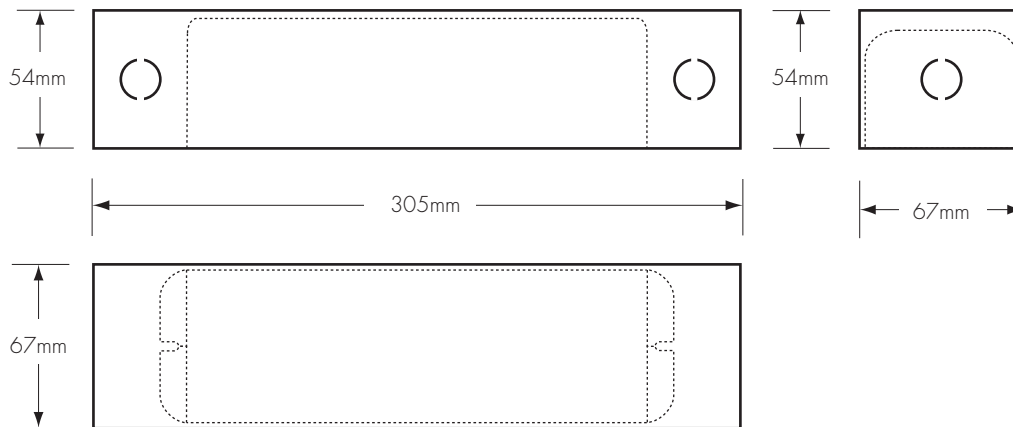
100-120 volts 50/60 Hz operation

Catalog Number	B-100-EX-115
Primary Amps	.49
Primary VA	50
Secondary Voltage	990 volts
Weight	.6 kilograms
Maximum lamp length	2200mm

Dimensional information on reverse

BALLAST DIMENSIONS AND SPECIFICATIONS

System BNP-EX (standard-output ballast-operated cold cathode for export)



Ballasts are shipped from the factory preinstalled in a 1.5mm-thick satin-anodized aluminum enclosure with snap top. Enclosures are provided with six 22mm electrical pry-outs.

Installation Guidelines

Ballasts shall be located within one meter of the lamps and shall be installed within the cove or an accessible location. Ballast locations shall not exceed 40 degrees C. To avoid any electrical noise interfering with computer, public address, telecommunication systems, all cold cathode ballasts shall be supplied from distribution transformers dedicated to lighting only. If distribution or isolation transformers are not available, cold cathode ballasts must be fed from a dedicated circuit with separate neutral wiring. Additionally, all cold cathode ballasts, associated conduits, and wiring shall maintain a 600mm separation from any computer, public address, or telecommunications wiring and equipment. If ballast enclosures are mounted to a metallic surface, installing contractor may be required to provide a 4mm neoprene pad between the ballast enclosure and the mounting surface to avoid any potential harmonics.

See reverse for ballast loading and electrical information.

Drawings not to scale