

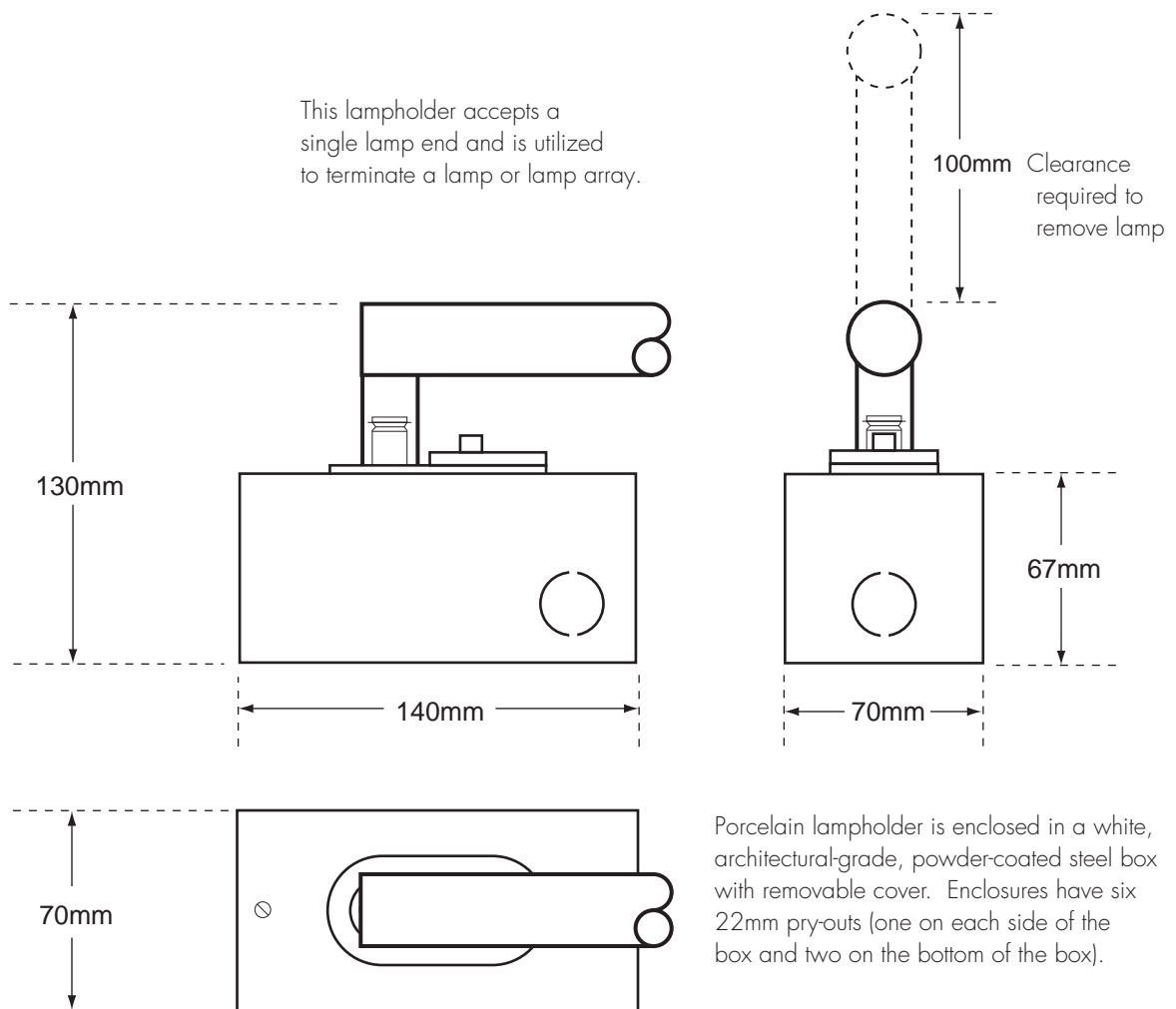
# SYSTEM BNP-EX

Standard-Output Ballast-Operated Cold Cathode for Export

Lampholder Details:  
Surface-Mounted Lampholders

System type: **BNP-EX**  
Mounting: **Surface mounted**  
Lampholder type: **BL**  
Lampholder model: **BL1**

This lampholder accepts a single lamp end and is utilized to terminate a lamp or lamp array.



Porcelain lampholder is enclosed in a white, architectural-grade, powder-coated steel box with removable cover. Enclosures have six 22mm pry-outs (one on each side of the box and two on the bottom of the box).

*Drawings not to scale*

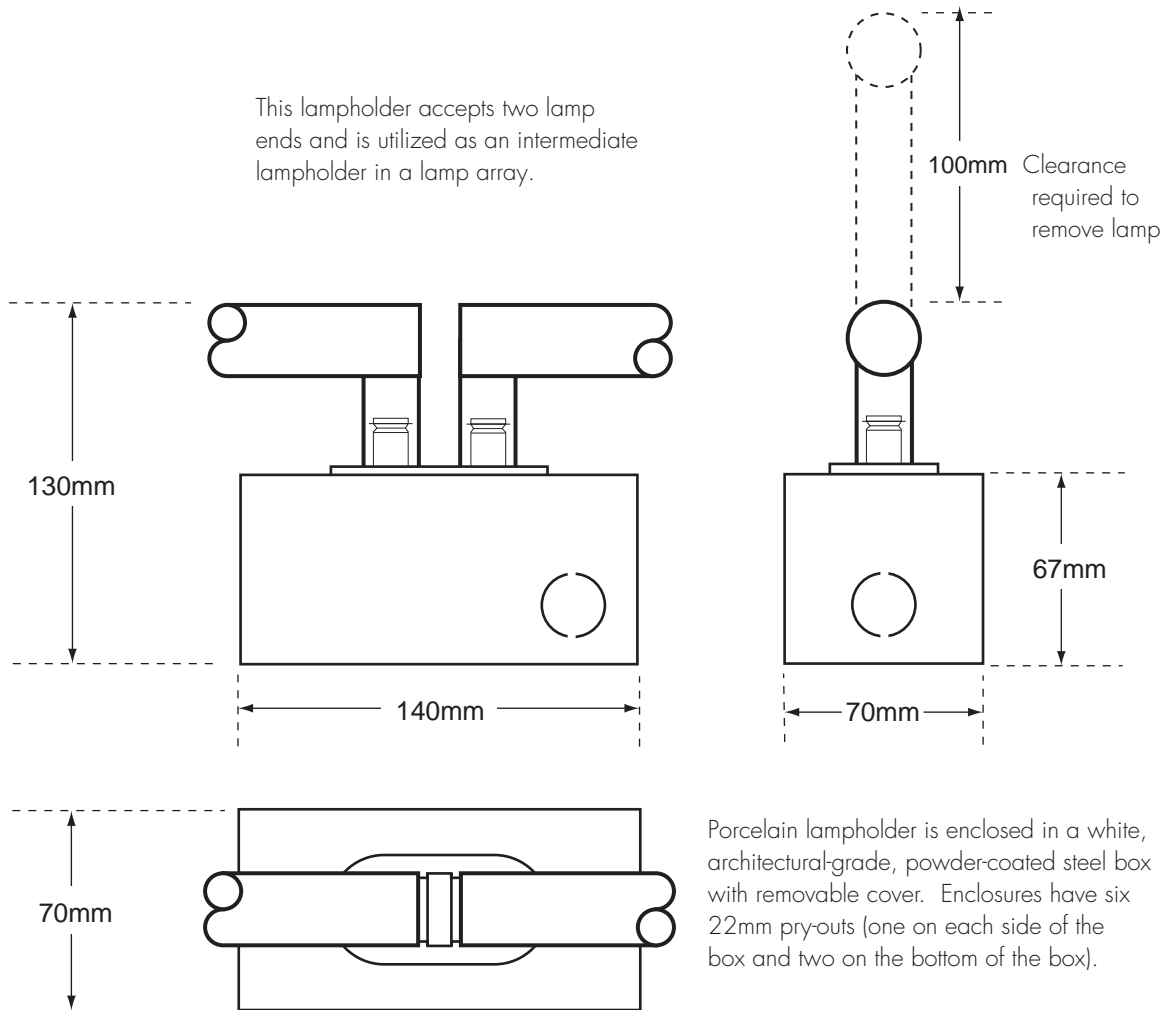
# SYSTEM BNP-EX

Standard-Output Ballast-Operated Cold Cathode for Export

Lampholder Details:  
Surface-Mounted Lampholders (cont'd.)

System type: **BNP-EX**  
Mounting: **Surface mounted**  
Lampholder type: **BL**  
Lampholder model: **BL2**

This lampholder accepts two lamp ends and is utilized as an intermediate lampholder in a lamp array.



*Drawings not to scale*

© 2002 Cathode Lighting Systems Inc.

**EE-12**

8020 Queenair Drive, Gaithersburg, MD 20879 • ph: 301 921 4120 • fax: 301 963 3050  
e-mail: [info@CathodeLightingSystems.com](mailto:info@CathodeLightingSystems.com) • website: [www.CathodeLightingSystems.com](http://www.CathodeLightingSystems.com)

**CLS** CATHODE  
LIGHTING  
SYSTEMS

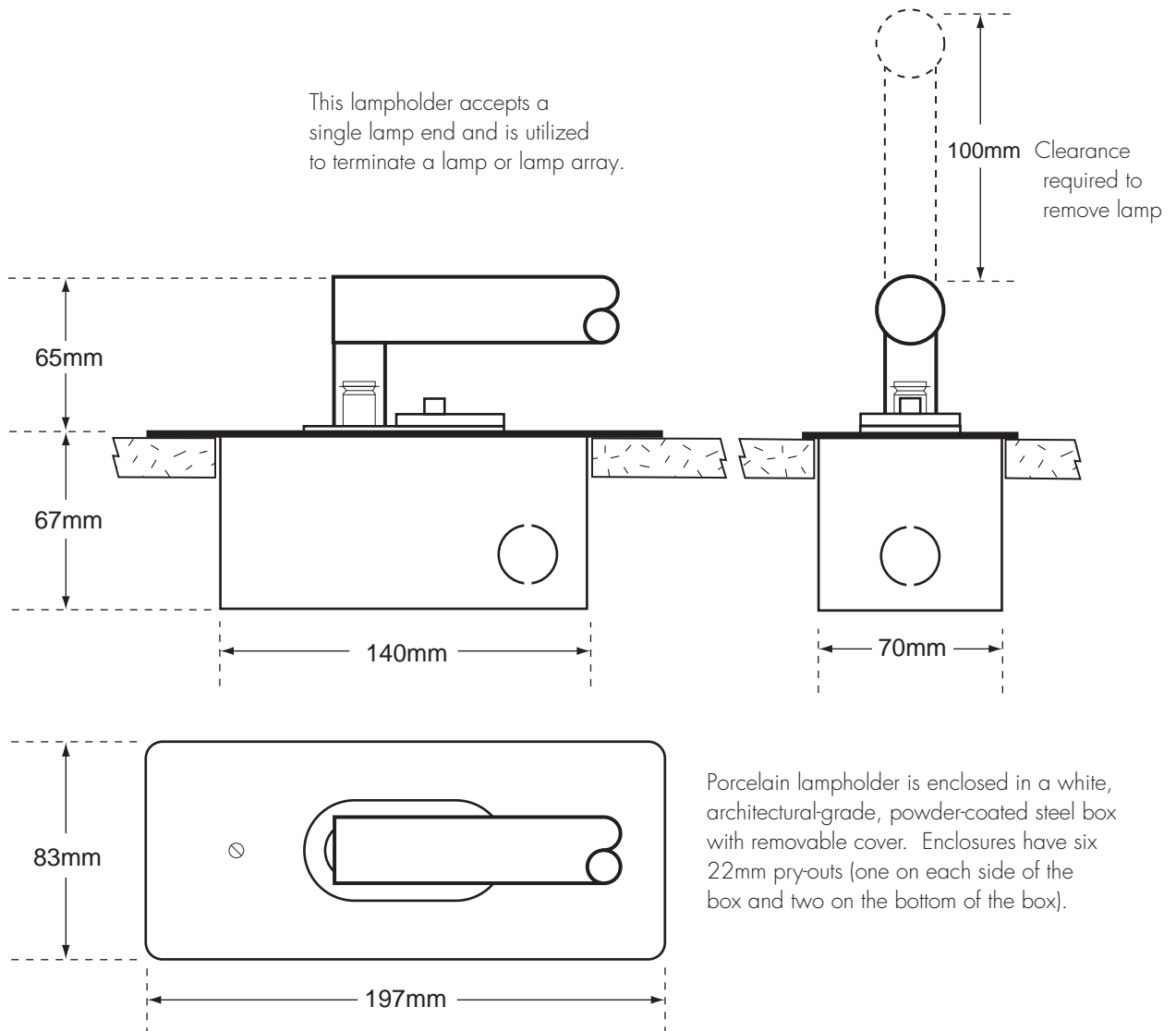
# SYSTEM BNP-EX

Standard-Output Ballast-Operated Cold Cathode for Export

Lampholder Details:  
Recess-Mounted Lampholders

System type: **BNP-EX**  
Mounting: **Recess mounted**  
Lampholder type: **BL-R**  
Lampholder model: **BL1-R**

This lampholder accepts a single lamp end and is utilized to terminate a lamp or lamp array.



*Drawings not to scale*

# SYSTEM BNP-EX

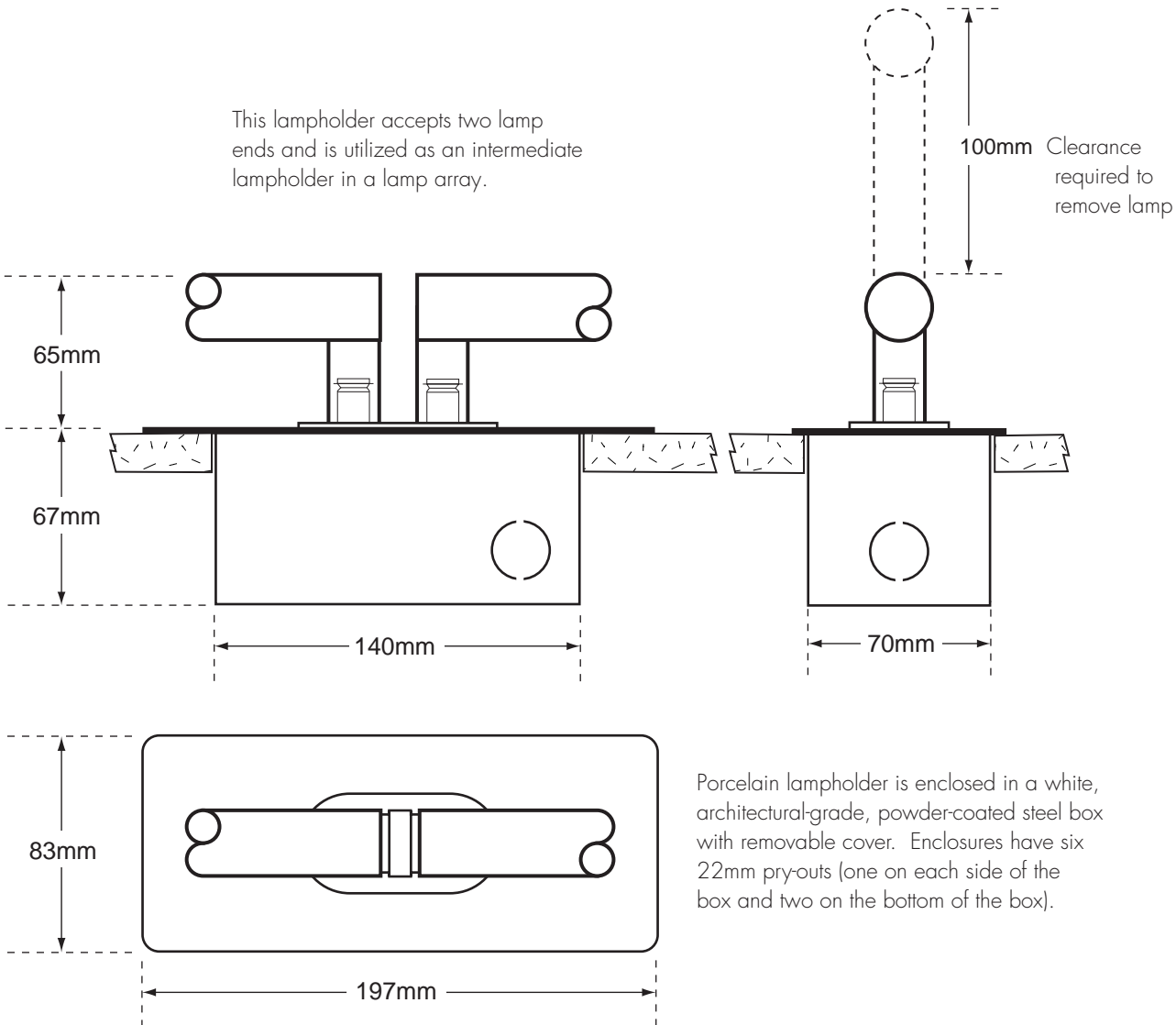
Standard-Output Ballast-Operated Cold Cathode for Export

Lampholder Details:  
Recess-Mounted Lampholders (cont'd.)

System type: **BNP-EX**  
Mounting: **Recess mounted**  
Lampholder type: **BL-R**  
Lampholder model: **BL2-R**

This lampholder accepts two lamp ends and is utilized as an intermediate lampholder in a lamp array.

100mm Clearance required to remove lamp



Porcelain lampholder is enclosed in a white, architectural-grade, powder-coated steel box with removable cover. Enclosures have six 22mm pry-outs (one on each side of the box and two on the bottom of the box).

*Drawings not to scale*

© 2002 Cathode Lighting Systems Inc.

**EE-14**

8020 Queenair Drive, Gaithersburg, MD 20879 • ph: 301 921 4120 • fax: 301 963 3050  
e-mail: [info@CathodeLightingSystems.com](mailto:info@CathodeLightingSystems.com) • website: [www.CathodeLightingSystems.com](http://www.CathodeLightingSystems.com)

**CLS** CATHODE  
LIGHTING  
SYSTEMS