

SYSTEM BNP-EX

Standard-Output Ballast-Operated Cold Cathode for Export

Application: Cove Uplighting



Private Residence • Mexico City, Mexico
Lighting Designer: Luminotecnica

Photo: J. Restrepo

A single row of custom-curved, dimmable, soft-white cold cathode illuminates the beautiful hand-painted fresco ceiling in this residence.



CATHODE
LIGHTING
SYSTEMS

8020 Queenair Drive, Gaithersburg, MD 20879 • ph: 301 921 4120 • fax: 301 963 3050
e-mail: info@CathodeLightingSystems.com • website: www.CathodeLightingSystems.com

© 2002 Cathode Lighting Systems Inc.

E-1

SYSTEM BNP-EX

Standard-Output Ballast-Operated Cold Cathode for Export

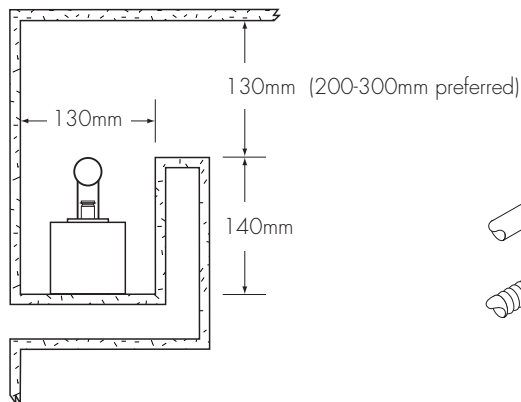
Details from application photo on reverse

SYSTEM INFORMATION

- 25mm triphosphor lamps
- Lamps can be fabricated in a wide variety of shapes and curvatures to perfectly and seamlessly illuminate almost any architectural application
- Lamps are available in a wide array of white hues, pastels, and vibrant neon colors
- Dimmable to 20% without flicker
- Lamp operating current is 90 milliamps
- Light output up 1274 lumens per meter (approximately 60% of T-8 fluorescent)
- Virtually maintenance free, lamp life is 50,000 hours +
- Low power consumption: 26 watts per meter in energy costs
- Each ballast operates one lamp up to 2200mm long, in a parallel electrical circuit
- Ballasts are electronic and must be located within one meter of the lamps
- Primary voltages available: 236 volts 50/60 Hz and 100-120 volts 50/60 Hz
- Ballast secondary voltage: 990 volts
- Ballasts are furnished with open circuit and overload protection
- Suitable for dry residential and commercial locations

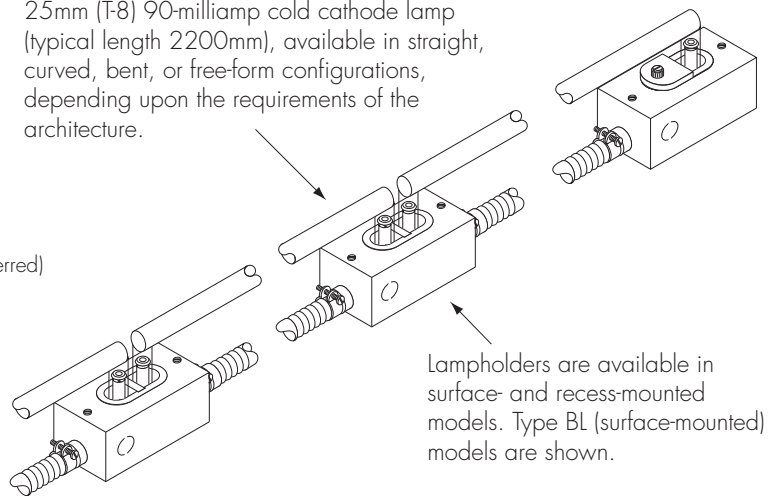
COVE PROFILE

BL (surface-mounted) lampholder mounted to a horizontal surface



TYPICAL SYSTEM DETAIL

25mm (T-8) 90-milliamp cold cathode lamp (typical length 2200mm), available in straight, curved, bent, or free-form configurations, depending upon the requirements of the architecture.



More detailed dimensional and design-related information can be found in the *System BNP-EX Technical Information* section.

Drawings not to scale