

# SYSTEM BNP

Standard-Output Ballast-Operated Cold Cathode

Application: Residential Color Fading



Private Residence • Golden, CO

Photos: Eric Long

A single row each of sky-blue and soft-white cold cathode are installed within this octagonal ceiling cove. Each row can be dimmed independently, allowing for an infinite number of hues ranging from soft white to sky blue.

# SYSTEM BNP

Standard-Output Ballast-Operated Cold Cathode

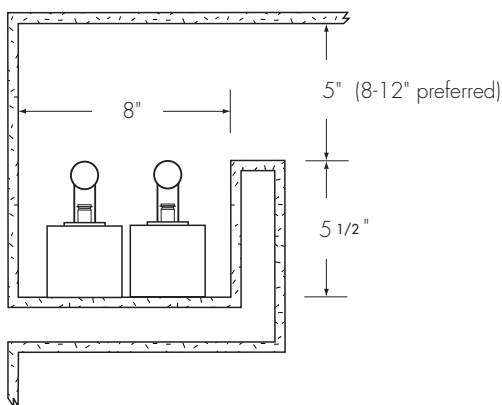
Details from application photo on reverse

## SYSTEM INFORMATION

- 25mm triphosphor lamps
- Lamps can be fabricated in a wide variety of shapes and curvatures to perfectly and seamlessly illuminate almost any architectural application
- Lamps are available in a wide array of white hues, pastels, and vibrant neon colors
- Dimmable to 20% without flicker
- Lamp operating current is 100 milliamps
- Light output up to 386 lumens per foot (approximately 60% of T-8 fluorescent)
- Virtually maintenance free, lamp life is 50,000 hours +
- Low power consumption: 7.5 watts per foot in energy costs
- Each ballast operates one lamp up to 7.5 feet long, in a parallel electrical circuit
- Ballasts can be remotely located up to 55 feet from the lamps
- Primary voltages available: 120 volts 60 Hz
- Ballast secondary voltage: 900 volts
- System has a circuit-interrupting function. When a lamp is removed, the ballast is de-energized.
- **UL US LISTED** for residential and commercial interior dry locations

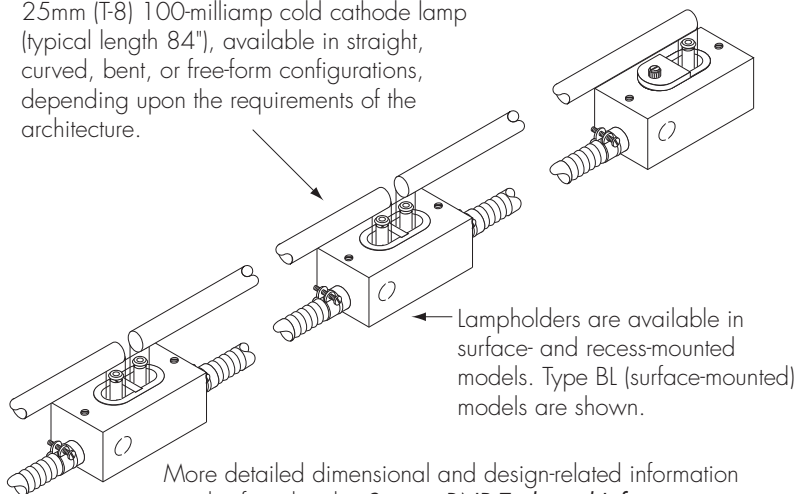
## COVE PROFILE

A double row of BL (surface-mounted) lampholders mounted to a horizontal surface



## TYPICAL SYSTEM DETAIL

25mm (T-8) 100-milliamp cold cathode lamp (typical length 84"), available in straight, curved, bent, or free-form configurations, depending upon the requirements of the architecture.



Drawings not to scale